

Product Information Chemical Motor Pump Unit MB

Tradition creates innovation

The chemical centrifugal pumps from Lutz-Jesco have been developed particularly to be used for industrial applications and are thus especially sturdy and have a long service life – also in the case of most aggressive media and high-duty operation.

Universal

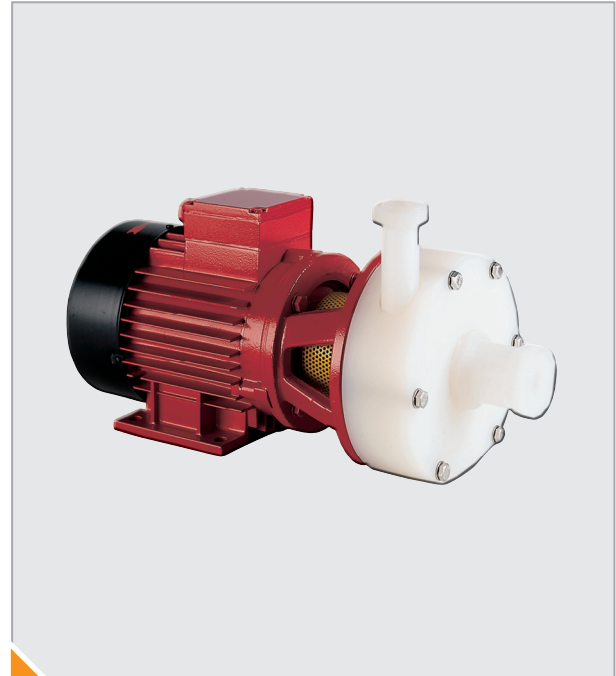
The normal-priming chemical motor pump units MB with horizontal axis are designed particularly for low-viscosity, acidic and alkaline solutions with a low solid matter content. The head assembly of the single-stage pumps consists of high-quality plastic material and a hydraulically efficient spiral casing.

In short

- Single-stage, normal-priming pumps with horizontal axis
- Open impeller
- Pump head made of high-quality thick-walled plastic material
- Corrosion-resistant
- Wetted-end parts made of highly resistant material
- Special varnish, stainless steel pump shaft with shaft protection sleeve
- Shaft seals single or double-acting
- Vibrationless operation

Seal designs

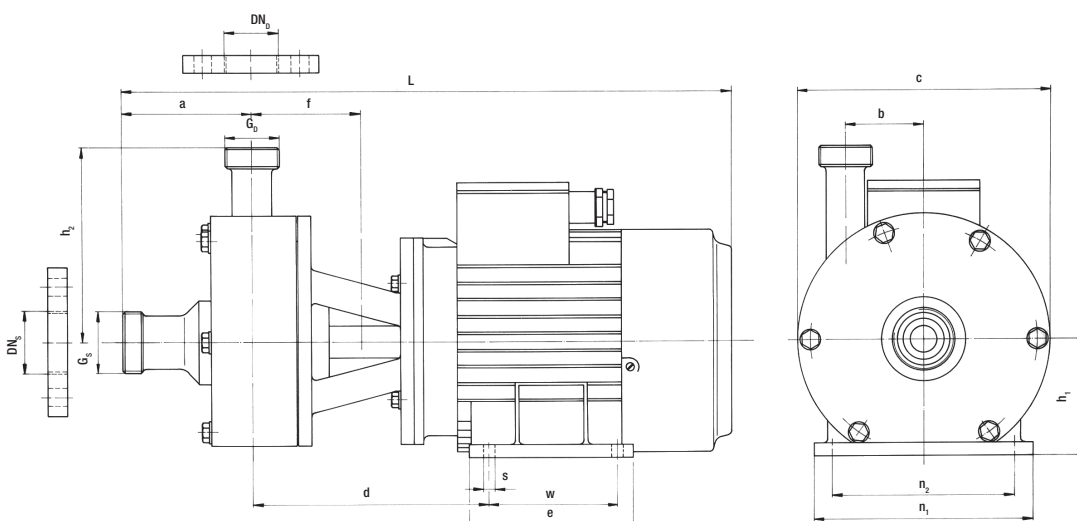
- Single-acting, internal mechanical seal, independent direction of rotation (B2 i)
- Single-acting, independent direction of rotation with quenching chamber (B2 Q) for supply of external liquid
- Double acting with sealing chamber (B2 D) for separate barrier and buffer fluid systems
- Special designs on request



Technical data

Design	block design
Materials	PP, PVDF (further materials on request)
Max. flow rate Q	19 m ³ /h
Max. delivery head H	30 m
Motor power	0.37...2.2 kW (2900 min ⁻¹)
Ambient temperature	5 – 40 °C
Temperature of the medium	PP 0 – 80 °C, PVDF 0 – 120 °C (subject to the medium)

Dimensional figure



Product Information Chemical Motor Pump Unit MB

Model variants

Type	MB 15 - 85	MB 20 - 100	MB 20 - 120	MB 25 - 140
G _D thread connection outlet	G 1 AG	G 1 1/4 AG	G 1 1/4 AG	G 1 1/2 AG
G _S thread connection inlet	G 1 1/4 AG	G 1 1/2 AG	G 1 1/2 AG	G 2 AG
DN _D flange outlet	15	20	20	25
DN _S flange inlet	20	25	25	32
a	75	100	100	100
h ₁	71	80	90	90
h ₂	100	150	150	150
w	90	100	100	125
e	106	126	127	145
ø _s	7	10	10	10
b	40	60	60	60
n ₁	132	150	167	167
n ₂	112	125	140	140
c	125	195	195	195
d	137	174	180	180
~ L	373	452	476	486
f sealing chamber	60	87	87	87
f quenching chamber	60	83.5	83.5	83.5

Dimensions in mm

Performance curve

