

The independent one

Vacuum chlorine changeover unit C 7523



Continuous gas supply

Chlorine gas dosing systems in a water treatment system must be permanently ready for operation so that the water can be sufficiently disinfected at any point. This explains the fitting of the systems with two supply batteries - one side in operation, the other on stand-by.

The vacuum chlorine changeover unit effects automatic switching between the two cylinders or drum batteries. The device is suitable for total vacuum systems - the vacuum regulator is part of the supply battery.

The C 7523 is available as a plate-mounted design or a ready-to-use assembly kit.

Intuitive and automated

If the power supply from the operation battery ebbs, the vacuum generated by the injector will become stronger. The control recognises the chlorine shortage using the contact gauge and activates the 3-way motor ball valve for the battery change.

The control monitors all operating modes and displays them in a self-explanatory fashion in a flow chart. Relay outputs are available for the important operating signals - empty left and right, operating signal left and right and fault message.

The motor ball valve is fitted with hand-operated emergency actuation to enable changeover even following a power outage.

The residue discharge function can be activated on the control. This function resets at periodic intervals to the battery registered as empty following the changeover. In this way, any remaining residue is used from the chlorine cylinder, but the cylinder cannot permanently cover the chlorine requirements alone.

Functions

- Capacity stages 4 kg/h up to 80 kg/h
- Residue discharge
- Control with indication of operation
- 5 relays for remote signalling
- Manual changeover via key press

Technical specifications

Throughput	up to 80 kg/h Cl ₂
Operating pressure	-1 to 0 bar
Contact gauge	Ø63 mm, class 2.5
Setting range of the switching point on the contact gauge	-0.9 to -0.1 bar
Changeover time	approx. 22 s
Material in contact with the media	PVC / FPM / Silver / coated brass
Further materials	Coated steel, PP, ABS
Voltage supply	115 – 230 V AC
Protection class	IP65
Load capacity of the relay	max. 3 A / 250 V AC
Weight	approx. 7 kg
Ambient temperature	0 – 55 °C, avoid direct sunlight

Model variants

Product	Max. flow rate chlorine gas	Hydraulic connections
C 7523-4K	4 kg/h	8/12 PE hose
C 7523-10K	10 kg/h	12/16 PE hose
C 7523-40K	40 kg/h	PVC pipe Ø16/20/25/32
C 7523-80K	80 kg/h	PVC pipe Ø40

Scope of delivery

The C 7523 is available in two variations:

Plate-mounted changeover unit

- Operating ready
- 1.5 m power cord with Europlug
- Installation material for wall fixing

Assembly kit

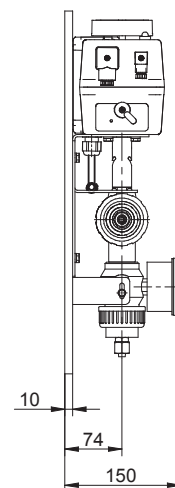
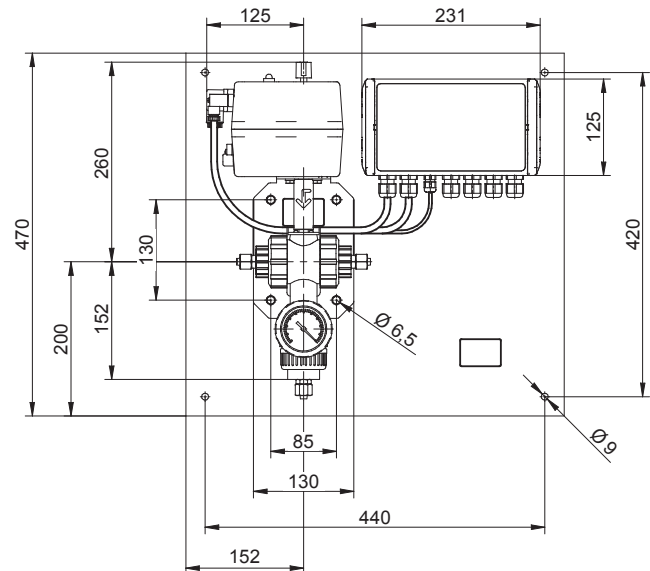
- The motor ball valve and pressure gauge are fixed to the wall holder
- The connection cables are 2 m in length and ready-for-use
- 1.5 m power cord with Europlug
- Installation material for wall fixing

Optional accessories

Assembly kit for bypass installation on chlorine gas changeover units. The bypass enables all connected chlorine tanks to feed simultaneously (e.g. with shock chlorination). This is recommended by DIN19606.

Scope of delivery: 2 ball valves and fittings for integration in the piping system

Dimensions



All dimensions in mm