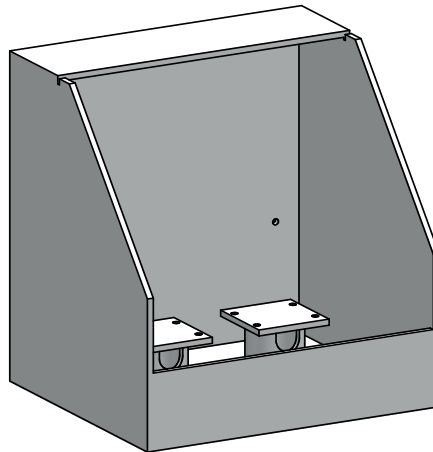


The stable one

Pump bracket for all dosing pumps types MAGDOS and MEMDOS SMART



A supportive environment

The pump bracket enables multiple MAGDOS and MEMDOS SMART dosing pumps to be secured to a stable wall surface or an underframe. It is available in four sizes; the largest version permits the installation of four dosing pumps. The connecting cables for the dosing pump and the signal lines can be installed in a pipe located under the fixing plate. This frees up the inside of the bracket from cables.

The lower part of the bracket also serves as a collecting pan. A level control can optionally be installed in the collecting pan to serve as a leakage monitor; this can be connected directly to a pump or an external control. The side or rear walls can be used to install additional fittings.

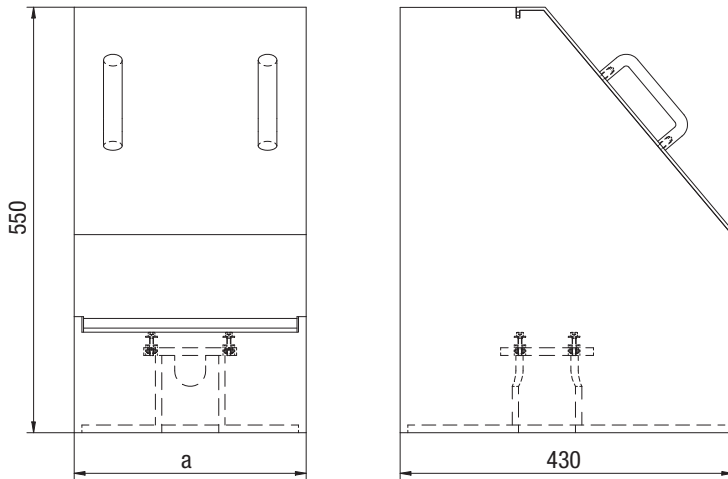
The pump bracket can also be fitted with a transparent cover. This serves as splash protection in case of damage of the installation within the bracket and provides protection from exterior impurities.

General

- Suitable for all pumps type MAGDOS and MEMDOS SMART
- Stable version
- Transparent cover
- Highly chemically resistant
- Installation of up to four dosing pumps
- Securing to the wall or an underframe

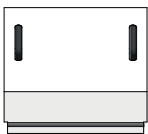
Dimensions

All dimensions in mm



Product	Number of dosing pumps	Dim. a
Pump bracket	1	300
	2	500
	3	700
	4	900

Standard accessories



Cover

PVC, transparent, available in four sizes



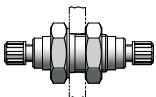
Mounting set

Appropriate for a pump bracket



Rubber bushing

For passing through a hose



Bulkhead fitting

For passing through the dosing hose in the floor or the side wall of the bracket



Level control type NX

to check for leakage

Switching function: Opens with an increasing level

Pipe clip available for mounting the level monitor