

One fitting – five functions

Multifunctional valve PENTABLOC



The correct solution for all cases

Diaphragm dosing pumps are influenced by numerous system conditions in terms of dosing accuracy. This applies particularly in the area without back pressure up to approx. 1 bar.

When it comes to dosing in unpressurised systems, inertia in the accelerated fluid leads to overdosing. On the other hand, dosing pumps must be protected against excessive pressure, or at least must be prevented from allowing undesired dosing quantities from flowing due to a siphon effect.

The multifunctional valve PENTABLOC is indispensable for avoiding all of the above problems.

One fitting – five functions

The PENTABLOC offers five functions for optimally operating solenoid diaphragm dosing pumps at up to 8 l/h and motor-driven diaphragm dosing pumps at up to 45 l/h.

The pressure retaining function optimises the dosing accuracy; it also avoids overdosing in unpressurised, open systems. The antisiphon function avoids undesired siphoning.

The PENTABLOC acts also as a safety valve to protect the dosing pump from inadmissible high pressure. On the PVC version of the multifunctional valve, a vertically moving ball in a transparent feed pipe enables you to carry out dosing control.

A further function enables you to relieve pressure in the delivery line by returning the medium to the supply tank. This is of particular benefit for maintenance work.

The multifunctional valve is easy to assemble, meaning that you can use it quickly in a straightforward manner – the PENTABLOC is assembled directly on the dosing pump's discharge valve.

Functions

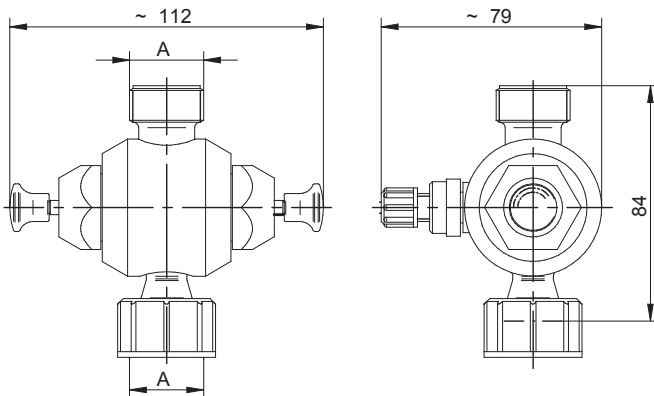
- Suitable for solenoid diaphragm dosing pumps up to 8 l/h and for motor-driven diaphragm dosing pumps up to 45 l/h
- Direct assembly on the dosing pump's discharge valve
- Pressure retaining function
- Antisiphon function
- Safety relief function
- Pressure relief function
- Dosing monitoring function

Technical data

PENTABLOC			
Housing material			PVC, PP or PVDF
Sealing material			FPM or EPDM
Diaphragm material			FPM or EPDM
Connections	Input		Union nut G5/8 or G3/4
	Output		Threaded pin G5/8 or G3/4
Dosing range	Solenoid dosing pumps	l/h	up to 8
	Motor-driven dosing pumps	l/h	up to 45
Max. viscosity		mPas	20
Opening pressure of the safety valve		bar	approx. 11 or 5
Holding pressure		bar	approx. 3 or 1.5
Approved media temperature	PVC	°C	35
	PP	°C	50
	PVDF	°C	80
Approved ambient temperature		°C	40
Weight		kg	~0.2

Dimensions

All dimensions in mm



Model variants

A	Opening pressure of the safety valve	holding pressure	Material		
			Housing	Seal	Diaphragms
G5/8	11 bar	3 bar	PVC	FPM	FPM
G5/8	5 bar	3 bar	PVC	FPM	FPM
G5/8	5 bar	1.5 bar	PVC	FPM	FPM
G5/8	11 bar	3 bar	PVC	EPDM	EPDM
G5/8	5 bar	3 bar	PVC	EPDM	EPDM
G5/8	5 bar	1.5 bar	PVC	EPDM	EPDM
G5/8	11 bar	3 bar	PVDF	FPM	FPM
G5/8	5 bar	3 bar	PVDF	FPM	FPM
G3/4	11 bar	3 bar	PVC	FPM	FPM
G3/4	5 bar	1.5 bar	PVC	FPM	FPM
G3/4	11 bar	3 bar	PVC	EPDM	EPDM
G3/4	11 bar	3 bar	PVDF	FPM	FPM

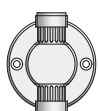
Accessories

In addition to the PENTABLOC system, the following accessories are available for installation:



PVC base

Clamp connection 4/6 - G5/8
Clamp connection 6/9 - G5/8
Clamp connection 6/12 - G5/8



PVC wall bracket

Connection G5/8 or G3/4