

Safe operation with vacuum technology

C 2213 - Vacuum regulator for battery operation



Line systems in vacuum

In gas installations, the danger arising from a leaked medium can be significantly reduced by using line systems in vacuum. A possible leak in lines run with vacuum leads to an immediate stop in the medium's flow. The C 2213 automatic vacuum controller fulfills this safety function. It is connected directly to bottles or lines that are under pressure and only releases the gas further in the line system in a vacuum.

Vacuum controllers are used in swimming pools, water works, for water purification processes and in the most diverse industrial applications.

Reliability thanks to high quality

The C 2213 can be used for an equal withdrawal of chlorine gas, hydrogen chloride, carbon dioxide or sulfur dioxide. It fulfills the highest safety standards. Its diverse connections for gas containers and line systems, its drive side manometer and residual pressure safety device make it versatile in its application. A heated moisture eliminator on the drive side is available as an option for its use with gas barrels.

The C 2213 is designed both for individual and also for parallel use of several vacuum controllers operated by batteries.

Functions

- Residual pressure reservation: Against a complete evacuation of the cylinder in order to avoid corrosion caused by humidity of the entering air.
- Filter: Filter for protecting the valves against dirt particles from the cylinder or from the connection area.
- Cylinder pressure manometer: For display the pressure inside the chlorine tank.
- Simultaneous delivery: For a uniform chlorine delivery to a large extent from several cylinders in so-called battery operation.
- Flow limiter: Against icing of the cylinders as a result of an inadmissibly high chlorine delivery rate.

Construction of the finest

At the transition between positive pressure in the gas container and the vacuum in the line, the C 2213 vacuum controller automatically closes with loss of vacuum in the line. It then works without using auxiliary power and is therefore active in the event of a decreased pressure in the line system without a time lag.

A flow limiter prevents the gas container from freezing due to excessive intake quantities. If the pressure of the gas container falls under 0.2 bar over pressure when it is being emptied, the residual pressure device closes and allows the simple change of the gas container without disturbing the line system. This simultaneously prevents the humidity from the air entering the system and into the gas container.

The high-quality and chemically stable materials with which the components of the C 2213 are made guarantee long durability.

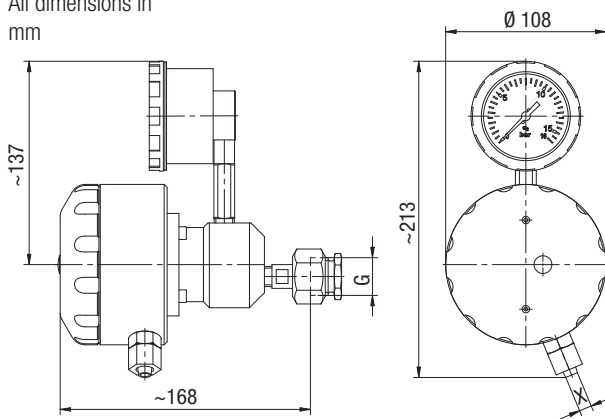
Technical data

Vacuum regulator C 2213

Chlorine gas flow rate	kg/h	max. 10 (with flow limiter < 1)
Inlet pressure	bar	max. 16
Connections	Pressure connection	Union nut
	Vacuum connection	Hose clamp connection for PE hose
Materials	Inlet valve	Monel, brass and Hastelloy
	Housing	PVC
	Diaphragms	FPM
Pressure gauge	bar	0 – 16 (alternative: empty status signal with the contact manometer)
Weight	kg	2.3 approx.

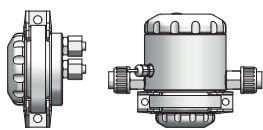
Dimensions

All dimensions in mm



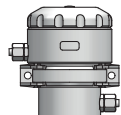
Gas connection G	Connection X
1"	Ø 8/12 or Ø 12/16
G 5/8	Ø 8/12 or Ø 12/16
G 3/4	Ø 8/12 or Ø 12/16
1.030"-14 NGO	Ø 8/12 or Ø 12/16
1" with increased residual pressure	Ø 8/12 or Ø 12/16

C 2213 Standard - Accessories



Safety blow-off valve (PLUS)

- Safety blowoff valve: Protection against positive pressure in the vacuum system
- Safety blow-off valve PLUS: Provides protection against positive pressure in the vacuum system and issues an electrical signal before a gas alarm is triggered



Safety shutoff valve

Increases the safety by closing the vacuum line completely in the case of ejector idle time.



Activated carbon cartridge

With bracket and 3 m hose for installation in the blow-off line, connection for PE hose Ø8/12

Retains small amounts of chlorine and prevents chlorine gas alarm as a result of short-term system-related leakage.



Back stop

For installation between the vacuum regulator and the injector.

Available connections: Clamping connection for Ø8/12 or Ø12/16 hose or glue-in connection Ø16



Wall holder

Made of PVC, available connections: BSW 1", G 5/8, G 3/4 or 1,030"-14 NGO