

The sampling station EASYPOOL is a variable unit consisting of several individual components which are described in detail in the corresponding technical documentation. This documentation deals exclusively with the special features of the EASYPOOL sampling station. Therefore, please also observe the technical documentation of the individual components such as: TOPAX, chlorine measuring cell CS120, pH, Redox, temperature electrodes etc..

General

Swimming pool water disinfection predominantly occurs by means of chlorine in its various chemical compositions. The water sampling station EASYPOOL was especially developed for private swimming pools to monitor the hygienic parameters and to ensure the metering of the corresponding chemicals. In the highest configuration even hypochlorite metering, pH correction and flocculation agent metering is possible.

Water sampling and metering station EASYPOOL

EASYPOOL is offered in various configuration levels depending on the application. Please see also our price list, page 4 37 17.

For measuring the free effective chlorine the chlorine measuring cell CS120 or the REDOX electrode are available.

The sampling station EASYPOOL includes the following features:

- Trouble-free metering
Peristaltic pumps also deliver degassing media, such as sodium hypochlorite solution, and they are self-ventilating. Due to transparent pump heads optical function control is also possible.
- Optimum flocculation
The peristaltic pump EASYDOS peristaltic V is used for metering flocculation agents and is adjusted to the filtration process by means of the speed.
- Saving of water
The sampling water is lead back into the water system.
- The controller and measuring amplifier TOPAX Pool
- Minimum installation work required
The complete sampling, control and metering unit is premounted to a compact panel for wall mounting.
- Easy operation and maintenance
Transparent fittings for flow monitors, electrodes and filters offer a good view into the measuring devices.
- Optical and electronic function control.



Function

The measuring signals from the electrodes for free chlorine, pH, redox, temperature and flow rate are transmitted to the TOPAX Pool. There they are compared to the desired values. In the case of deviating values the corresponding pumps are activated and the chemicals are metered until the desired value is reached.

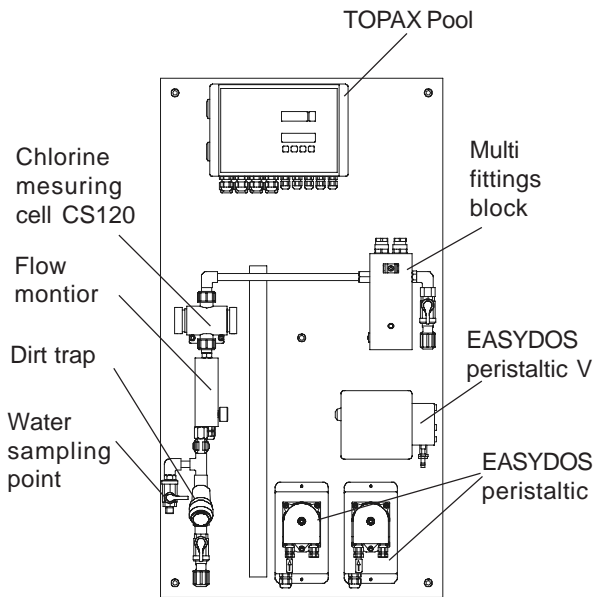
Technical data

Measuring range free chlorine	0-2ppm
Measuring range pH	pH 0 - pH 14
Measuring range redox	0-1000mV
Measuring range temperature	1°C - 40°C
Sampling water requirement	42 l/h
Water pressure	0.15 - 6 bar
max. variation	+/- 10%
Tubing connections	6/12 mm
Dimensions (H/W/D)	900x490x100 mm

Order numbers:

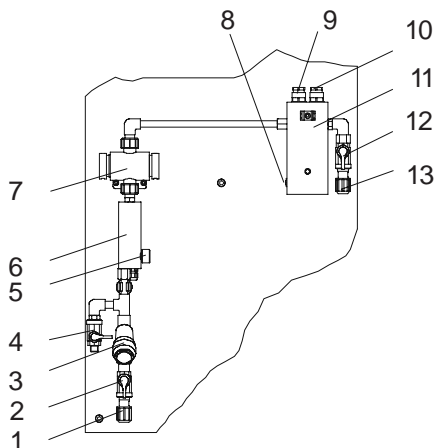
Redox and pH	23700212
Free chlorine and pH	23700210

For other configurations and prices, please see also our price list PL 4 37 17 / 1



Hydraulic system

The sampling water reaches the EASYPOOL sampling station through a tubing connected to it at the tubing connection (1). The bevel-fit filter (3) eliminates disturbing dirt particles from the sampling water. Using the adjustment screw (5), the correct sampling water flow is set which is controlled by means of the flow monitor (6) and supervised by the TOPAX Pool. Now the sampling water passes the free chlorine measuring cell (7) at an optimum flow. Then the sampling water reaches the acrylic block (11) to which the temperature, redox and pH electrodes (8, 9 and 10) can be mounted. The sampling water flows out of the EASYPOOL through the tubing connected to the tubing connection point (13). For calibrating the measuring cell CS120 a water sample can be taken at the sampling water point (4). By closing the stop valves (2 and 12) EASYPOOL can be depressurized in the case of maintenance and calibration work, e.g. for calibrating the pH and redox electrodes in buffer solutions.



1. Tubing connection (=inlet)
2. Stop valve
3. Bevel-fit filter
4. Water sampling point
5. Adjustment screw
6. Flow monitor
7. Free chlorine measuring cell
8. Temperature electrode
9. Fitting for redox electrode
10. Fitting for pH electrode
11. Acrylic block for mounting pos. 8-10
12. Stop valve
13. Tubing connection (=outlet)

Scope of delivery

In the highest equipment configuration EASYPOOL is premounted to a plastic panel, wired and equipped with the following components :

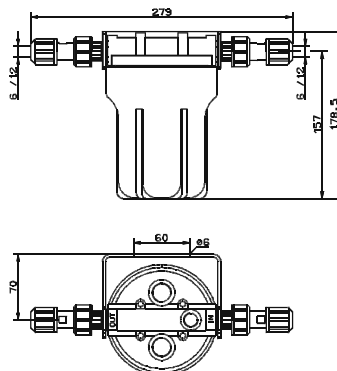
- controller TOPAX POOL
- flow monitor for manual and electronic monitoring
- free chlorine measuring cell CS120 copper/platinum with self-cleaning electrode, alternatively redox
- acrylic block for mounting electrodes
- pH electrode
- temperature electrode
- peristaltic pump EASYDOS Peristaltic for sodium hypochlorite solution
- peristaltic pump EASYDOS Peristaltic for pH correction
- peristaltic pump EASYDOS Peristaltic V for flocculating agent

All you must do is to provide the sampling station with sampling water and supply voltage and to connect the chemical tanks to the suction side of the pumps.

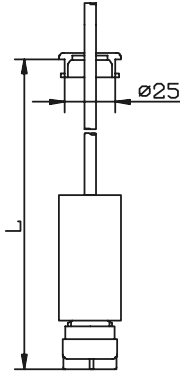
The EASYPOOL delivery scope is very flexible. Therefore, please check our price list.

Accessories

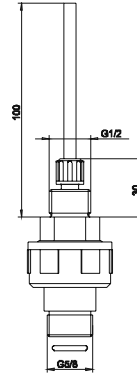
With very dirty water, e.g. in an outside pool, we additionally recommend to use the 80µm sampling water filter with wall holder and clamping connections for tubing 6/12, order number 23733816.



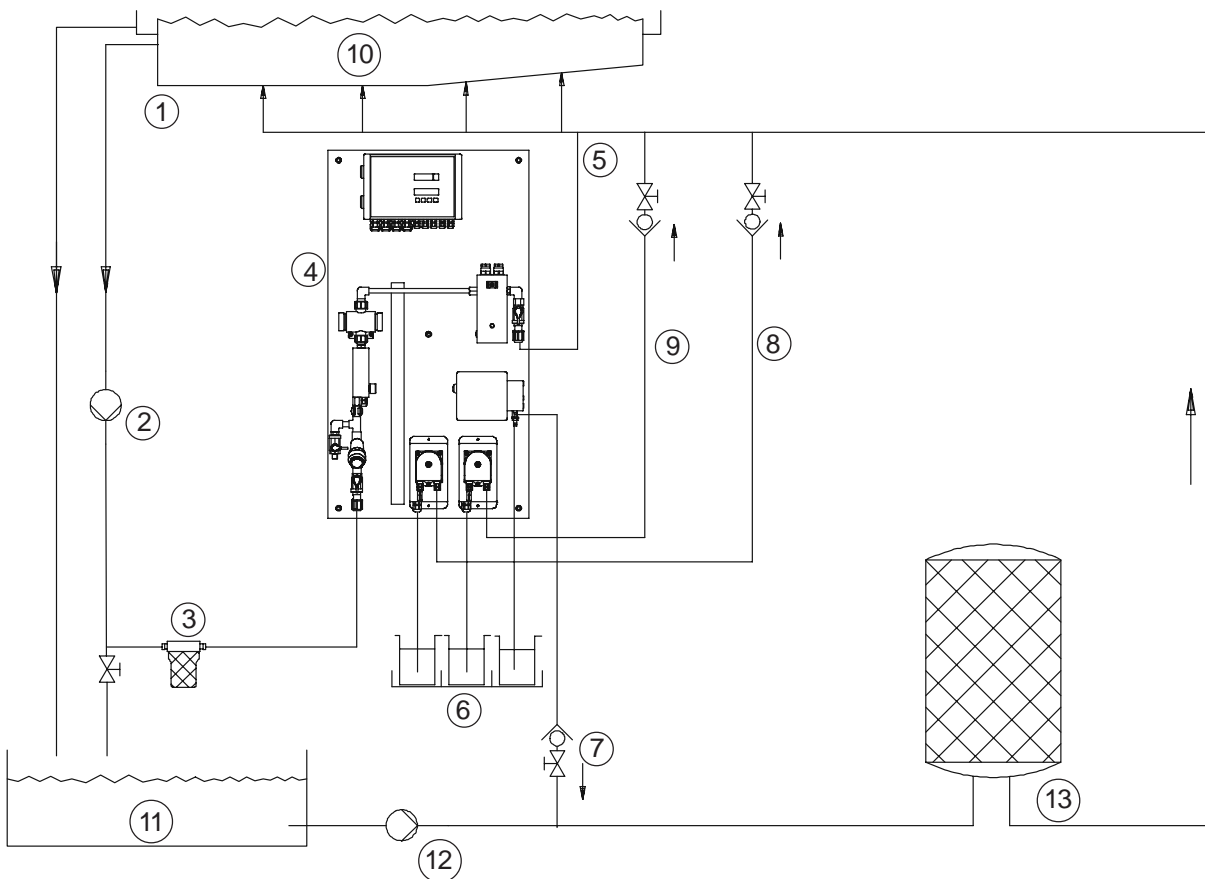
As suction line for containers we recommend to use our type SA .
Order number 12224451



For injection points, please cf. MB 1 23 01, as e.g.: type S for 4/6 tubing with 1/4 " external thread, order number 12327059.



Installation example



Legend

- | | |
|--------------------------------------|--|
| 1 Water sampling point | 8 Injection point pH control |
| 2 Sampling water pump | 9 Injection point sodium hypochlorite solution |
| 3 Sampling water pre-filter | 10 Swimming pool |
| 4 Sampling station EASYPOOL | 11 Splash water basin |
| 5 Sampling water recirculation | 12 Untreated water pump |
| 6 Chemicals supply + drip tray | 13 Filter unit |
| 7 Injection point flocculating agent | |

We would like to point out that the installation example is not obligatory.