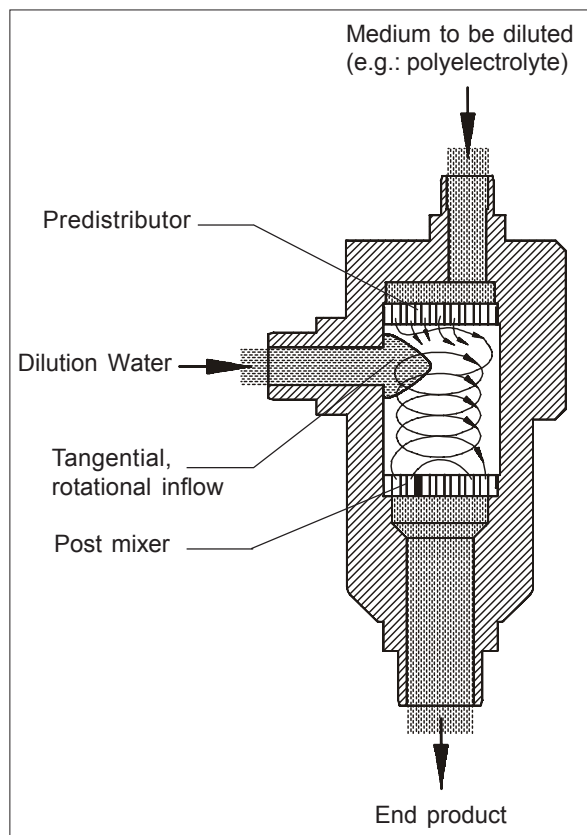
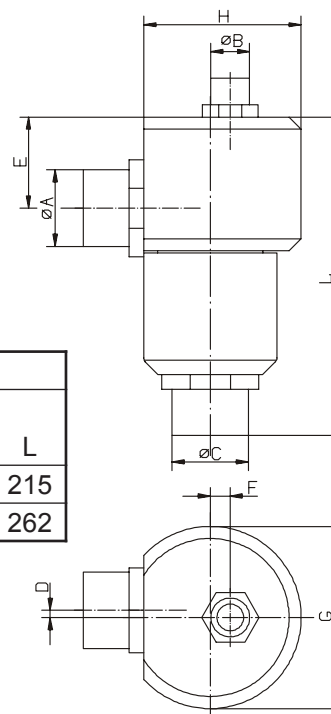


**General**

In process engineering, applications frequently arise where a concentrated liquid is to be diluted to a lower concentration. Depending on the size of process plant it may also be necessary to produce higher concentrations in small quantities and subsequently to dilute them in a continuous process during sampling. A common application is the redilution of flocculants (polymers). In many cases they are enriched at 2%, then rediluted by up to 1:100. It is important that the concentrate is intensively mixed with the water to achieve a homogeneous dilution. The JESCO mixing tee will meet this requirement.

**Mixing tee**

The mixing tee consists of a chamber permitting axial flow and provided with perforated plates on the inlet and outlet side. The medium to be diluted enters the device on the inlet side and is divided by the perforated plate into many individual jets. The dilution water connection is located immediately behind this chamber, providing tangential inflow. The water jet, which enters the device at considerable force, twists the individual flow components of the medium to the diluted, and mixes it intensively because of the high peripheral speed. On the outlet side the rotating liquid is abruptly retarded and discharged again divided into individual jets by means of the a.m. second perforated plate. The individual jets combine on the output side to form a homogeneous discharge.


**Dimensions**

**Dimensions**

Q max. m <sup>3</sup> /h	Dimensions								
	Solvent-cement connection			D	E	F	G	H	L
	$\varnothing A$	$\varnothing B$	$\varnothing C$						
6	32	25	40	13	60	13	120	105	215
10	63	32	63	6	75	17	150	130	262

**Technical Data**

Maximum throughput of the liquid to be diluted	Maximum quantity of dilution water	Operation pressure	Material	Part No.
400 l/h	6 m <sup>3</sup> /h	10 bar	PVC, Hypalon	31020914
650 l/h	10 m <sup>3</sup> /h			31020999