

Description

The pump brackets shown are designed for being fixed to a sufficiently solid mounting surface. Therefore the brackets have four or six \varnothing 10 mm fastening holes at the rear. We recommend to use 8 mm screws and appropriate dowels for mounting. (See Accessories).

There are four sizes available for the installation of one to four MAGDOS up to version DE/DX12 or LT17. Each of the dosing pumps is mounted on an arbor designed as a holding pipe and fixed by screws countersunk laterally in the pump base. The cables for the electrical connection of the pump as well as for the signal lines can be laid in the holding pipe. Thus the inside of the bracket is free from disturbing cables.

The design of the arbor with its recesses allows the lower part of the bracket to serve as a collecting basin. As an option a float switch can be installed for leakage control. It is fastened by means of a pipe clamp attached to one of the side walls. The signal can then be sent directly to a pump or to an external control which e.g. disconnects the pumps from power supply, if necessary.

The tubings should be routed preferably through lateral apertures. The installer and user decide on site according to the local conditions where to position the apertures. To install additional fittings also the side walls or the rear can be used.

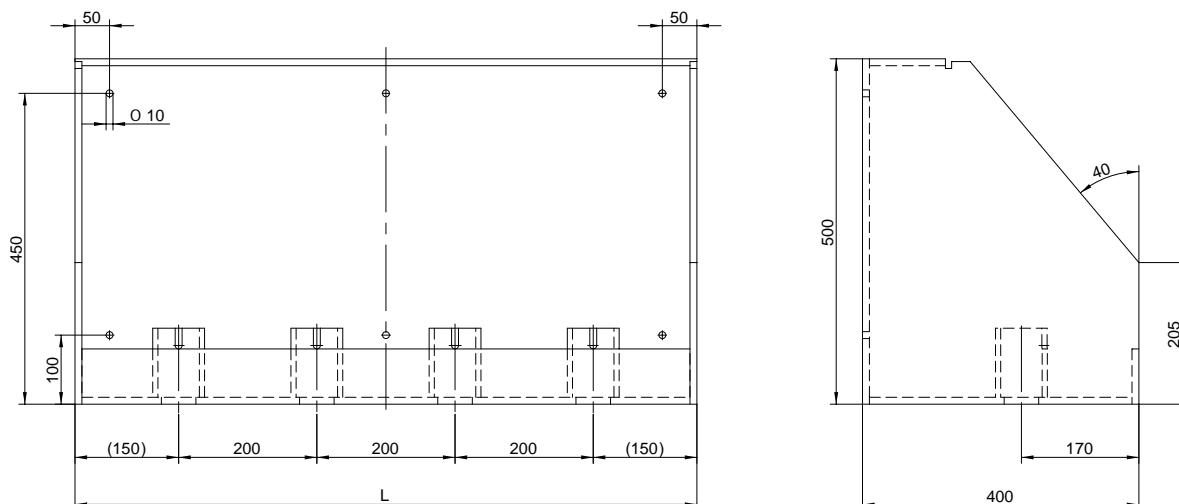
Caution!

Required fastening holes must be positioned above the front edge of flange so that the function of the collecting basin is ensured.



The pump brackets can be fitted with a transparent cover. On the one hand it serves as a splash protection in the case of an installation failure inside the bracket, on the other hand it protects the equipment against dust and impurities from the outside. Two handles on the outside of the cover make handling easier.

Dimensions



For the installation of	Pump bracket dimensions (H x B x T) [mm]	Pump bracket Part No.	Transparent cover Part No.
1 MAGDOS	500x300x400 (L=300)	37386	37520
2 MAGDOS	500x500x400 (L=500)	37387	37521
3 MAGDOS	500x700x400 (L=700)	37388	37522
4 MAGDOS	500x900x400 (L=900)	37389	37523

Notes on handling

MAGDOS pumps are fastened to the arbor (4) of the pump bracket (2) using the mounting kit for the pump base (Part No. 37558).

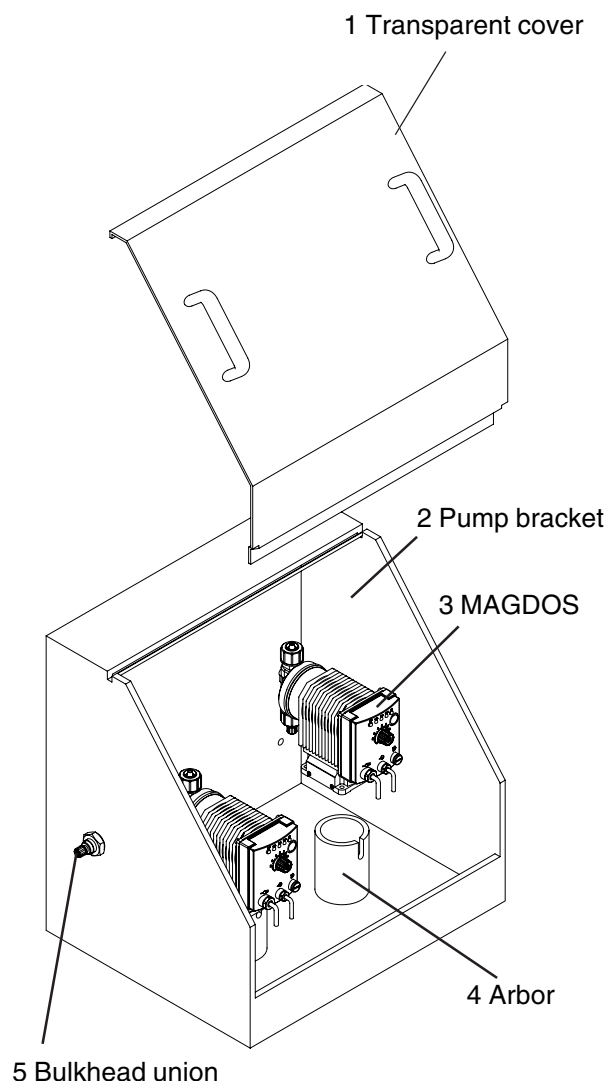
Openings for the tubings are drilled during installation. A rubber bushing, Part No. 13209, can be used for the side openings. A \varnothing 25 mm drill hole is required for this purpose.

For bottom holes, sealed bulkhead unions should be used. The following bulkhead unions are available:

Tubing diameter	Part No.	Drill hole diameter
4/6	37552	24 mm
6/9	37553	24 mm
6/12	37554	24 mm

They (5) are also suitable for side holes.

The transparent cover (1) is just hooked into the pump bracket.

Installation example

Accessories:

Mounting kit for pump bracket, one to threefold, Part No. 37555

Mounting kit for pump bracket, fourfold, Part No. 37556

Mounting kit for pump base, Part No. 37558

Leakage control, Part No. 12200093

Mounting clamp for leakage control, Part No. 22981